



US00D683069S

(12) **United States Design Patent**
Lambertz

(10) **Patent No.:** **US D683,069 S**
(45) **Date of Patent:** **** May 21, 2013**

(54) **CHILI-PEPPER-SHAPED ASHTRAY**

(76) Inventor: **Bruce Lambertz**, West Covina, CA
(US)

(**) Term: **14 Years**

(21) Appl. No.: **29/422,881**

(22) Filed: **May 24, 2012**

(51) **LOC (9) Cl.** **27-03**

(52) **U.S. Cl.**
USPC **D27/119**

(58) **Field of Classification Search** D27/134,
D27/107, 119, 106, 131, 231, 235.1, 236,
D27/240.1, 241, 242, 242.6, 238, 108, 122,
D27/189, 172, 104, 102, 105, 110, 123, 135,
D27/138, 136, 137, 124, 103; D11/151;
220/576, 495.01, 23.2, 405; D7/396.2, 213
See application file for complete search history.

(56) **References Cited**

U.S. PATENT DOCUMENTS

D17,627 S * 8/1887 Carr D11/151
D33,916 S * 1/1901 McConnell D26/101
D125,780 S * 3/1941 Miller D27/119

D152,213 S * 12/1948 Potts D27/119
D203,237 S * 12/1965 Hoover D27/119
D238,587 S * 1/1976 Howell D27/131
D480,504 S * 10/2003 Taylor D27/119
D588,307 S * 3/2009 Lambertz D27/119

* cited by examiner

Primary Examiner — Robert M Spear

Assistant Examiner — Janice Hallmark

(74) *Attorney, Agent, or Firm* — Steins & Associates, P.C.

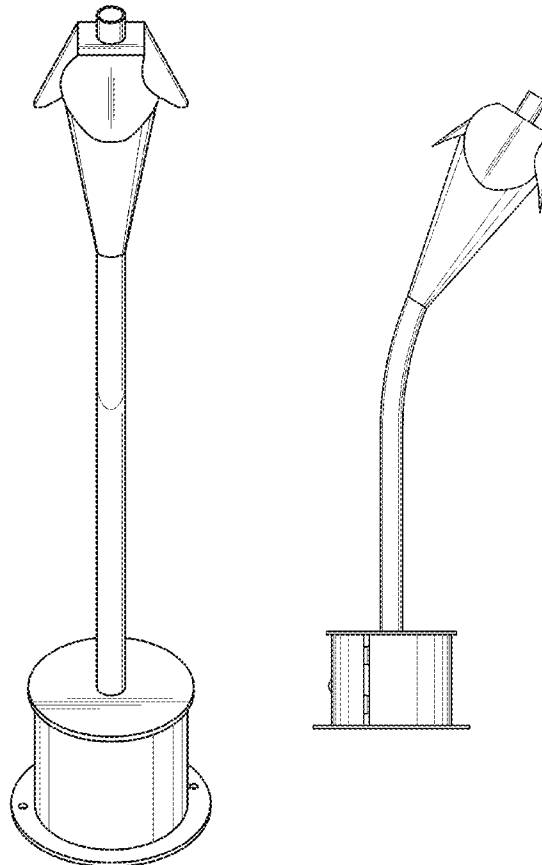
(57) **CLAIM**

What is claimed is the ornamental design for a chili-pepper-shaped ashtray, as shown.

DESCRIPTION

FIG. 1 is a perspective view of the chili-pepper-shaped ashtray;
FIG. 2 is a front view of the chili-pepper-shaped ashtray;
FIG. 3 is a back view of the chili-pepper-shaped ashtray;
FIG. 4 is a right side view of the chili-pepper-shaped ashtray;
FIG. 5 is a left side view of the chili-pepper-shaped ashtray;
FIG. 6 is a top view of the chili-pepper-shaped ashtray; and,
FIG. 7 is a bottom view of the chili-pepper-shaped ashtray.

1 Claim, 5 Drawing Sheets



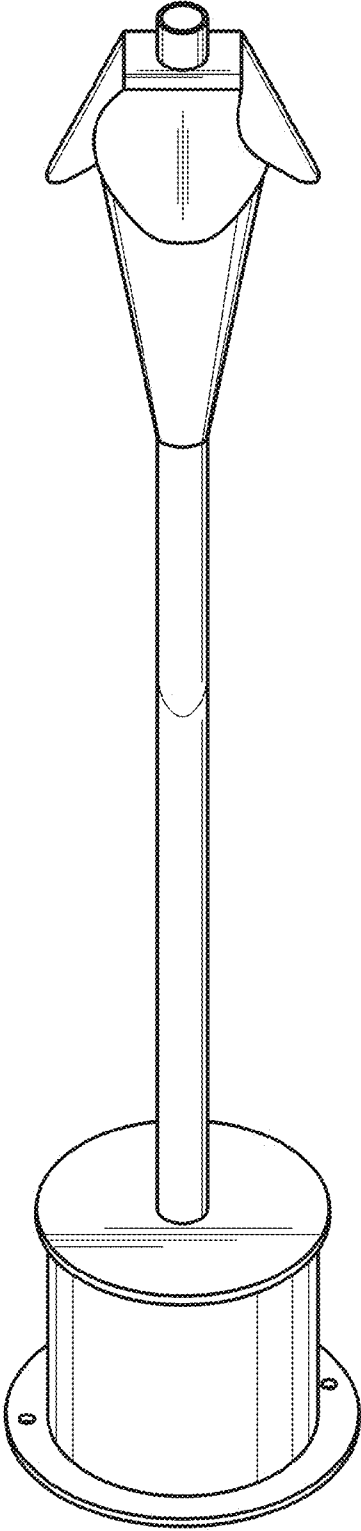


FIG. 1

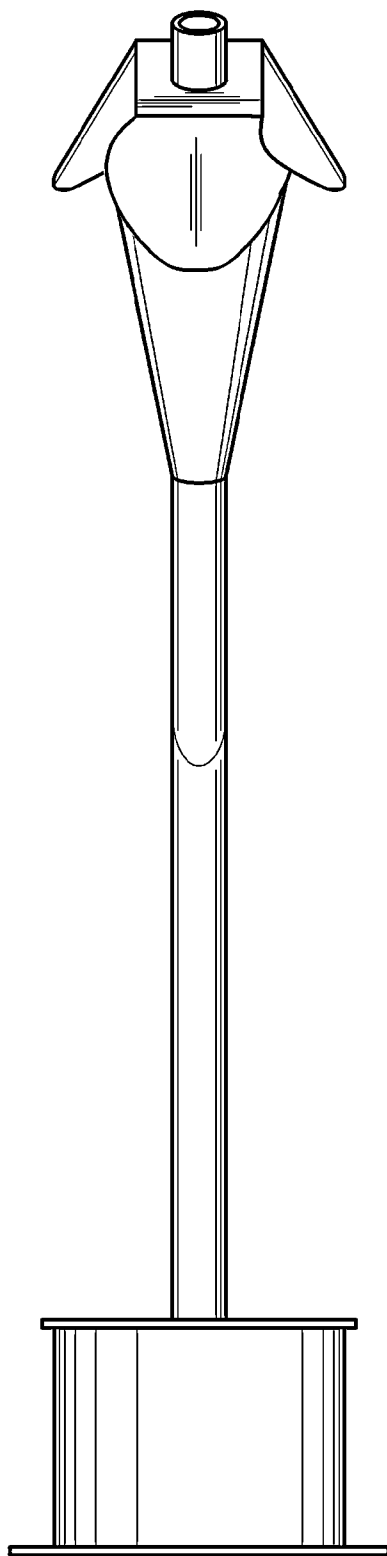


FIG. 2

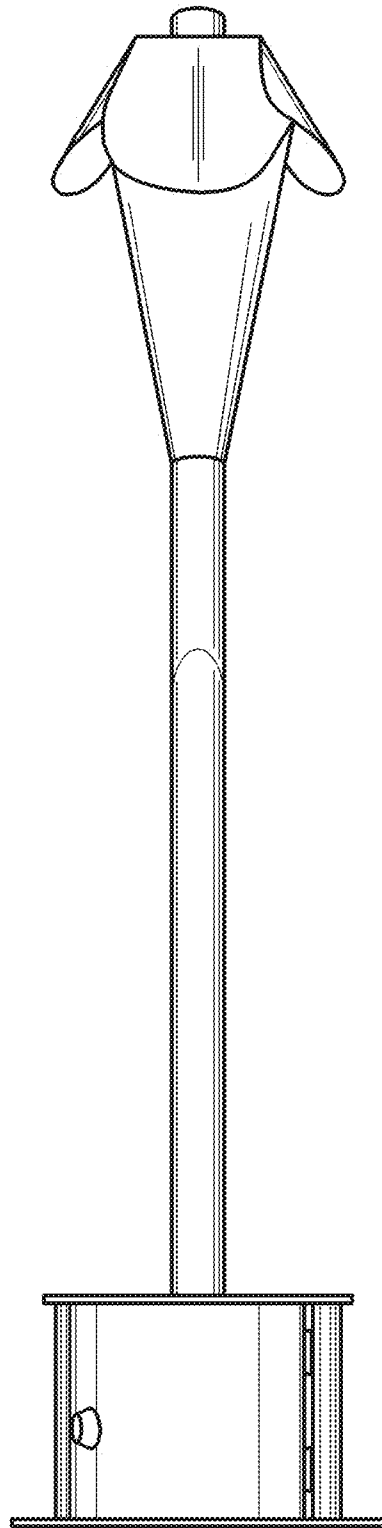


FIG. 3

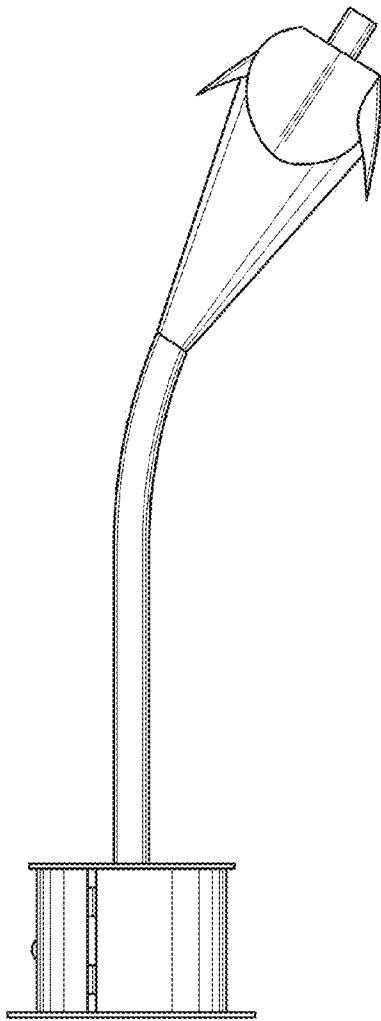


FIG. 4

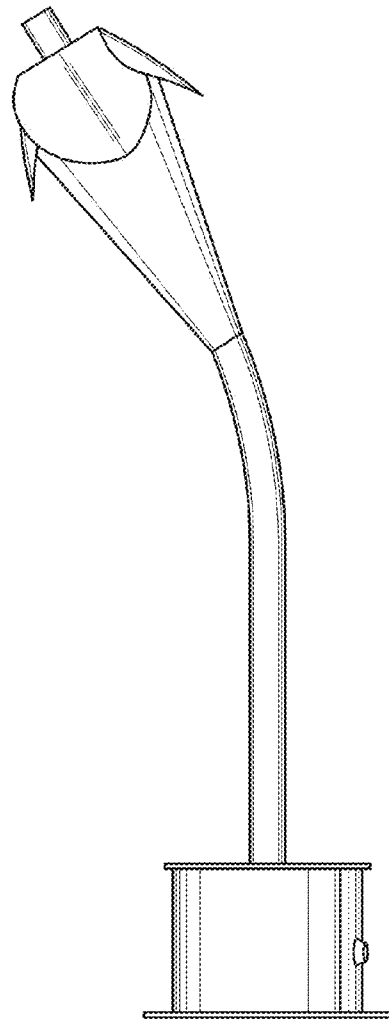


FIG. 5

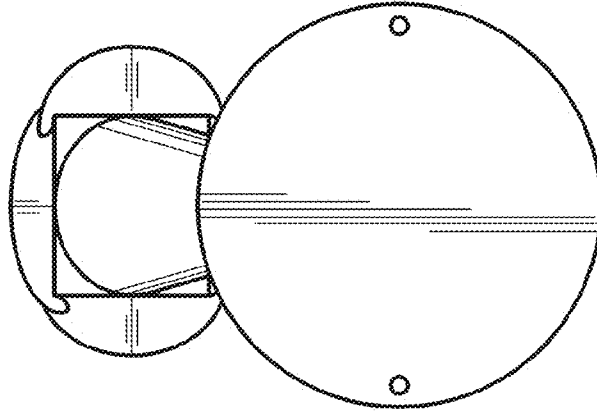


FIG. 7

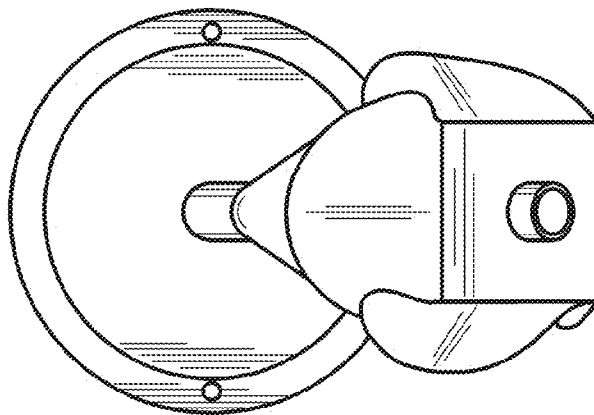


FIG. 6