



US00D649139S

(12) **United States Design Patent**  
**Waay**

(10) **Patent No.:** **US D649,139 S**

(45) **Date of Patent:** **\*\* Nov. 22, 2011**

(54) **WIRELESS MICROPHONE**

(75) Inventor: **James Van Waay**, Oceanside, CA (US)

(73) Assignee: **BYW Holdings, Inc.**, Las Vegas, NV (US)

(\*\*) Term: **14 Years**

(21) Appl. No.: **29/390,882**

(22) Filed: **Apr. 29, 2011**

(51) **LOC (9) Cl.** ..... **14-01**

(52) **U.S. Cl.** ..... **D14/225**

(58) **Field of Classification Search** ..... D21/513;  
D17/99; D16/208; D14/497, 249, 243, 227,  
D14/226, 225, 167, 155; 446/416; 381/369,  
381/355, 92, 174; 455/575.2

See application file for complete search history.

(56) **References Cited**

**U.S. PATENT DOCUMENTS**

D258,282 S *	2/1981	Koseki	.....	D14/225
D344,907 S *	3/1994	Abrams et al.	.....	D14/159
D392,643 S *	3/1998	Hartman	.....	D14/226
D496,030 S *	9/2004	Harbeke	.....	D14/225

D496,653 S *	9/2004	Townsend et al.	.....	D14/240
D548,195 S *	8/2007	Poulet	.....	D13/168
D548,197 S *	8/2007	Yen et al.	.....	D13/168
D558,742 S *	1/2008	Koller et al.	.....	D14/225
D560,230 S *	1/2008	Yagi	.....	D14/496
D577,715 S *	9/2008	Lim et al.	.....	D14/240
D604,723 S *	11/2009	Bodley et al.	.....	D14/225
D617,317 S *	6/2010	Tatara et al.	.....	D14/225
D621,371 S *	8/2010	Sheppard et al.	.....	D13/168

\* cited by examiner

*Primary Examiner* — Austin Murphy

(74) *Attorney, Agent, or Firm* — Steins & Associates, P.C.

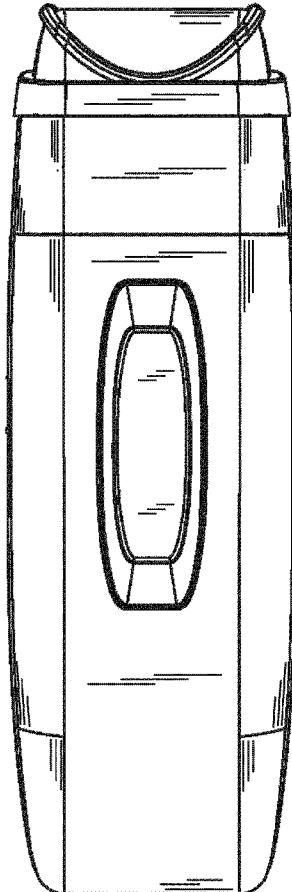
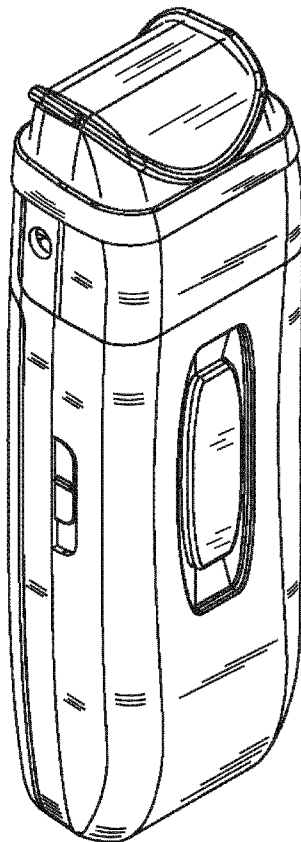
(57) **CLAIM**

What is claimed is the ornamental design for a wireless microphone, as shown.

**DESCRIPTION**

FIG. 1 is a perspective view of the wireless microphone; FIG. 2 is a front view of the wireless microphone; FIG. 3 is a back view of the wireless microphone; FIG. 4 is a right side view of the wireless microphone; FIG. 5 is a left side view of the wireless microphone; FIG. 6 is a top view of the wireless microphone; and, FIG. 7 is a top view of the wireless microphone.

**1 Claim, 5 Drawing Sheets**



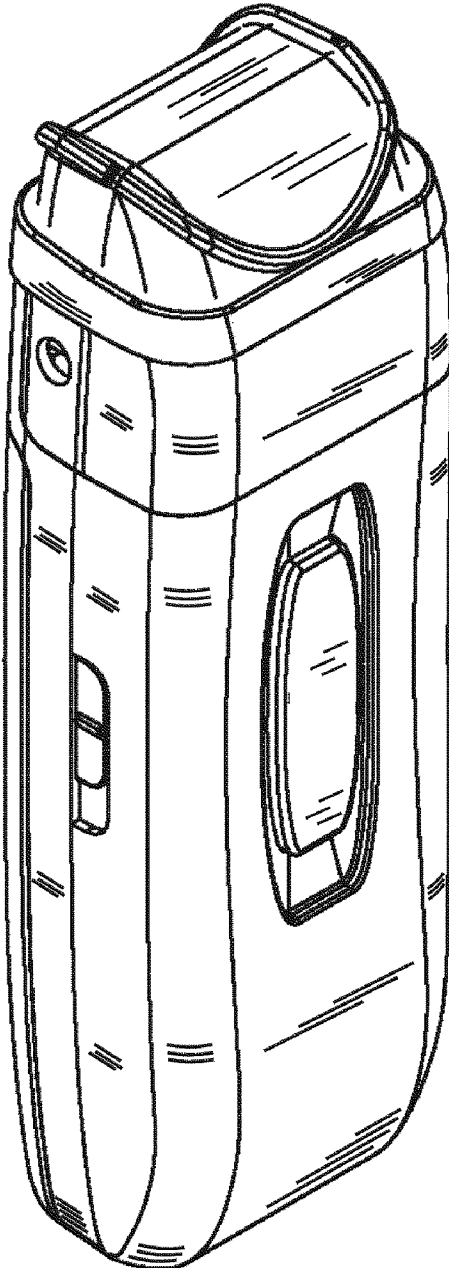


FIG. 1

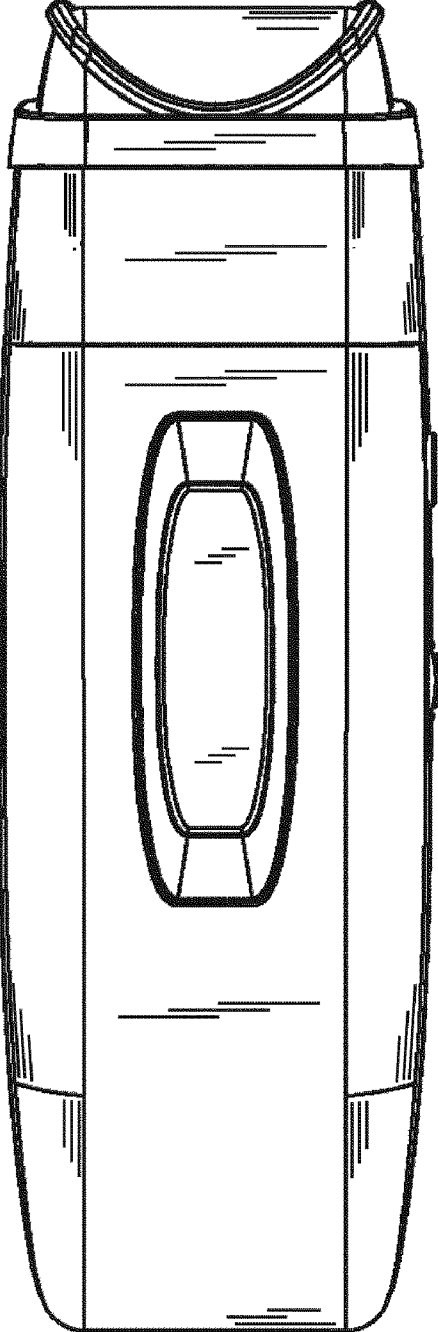


FIG. 2

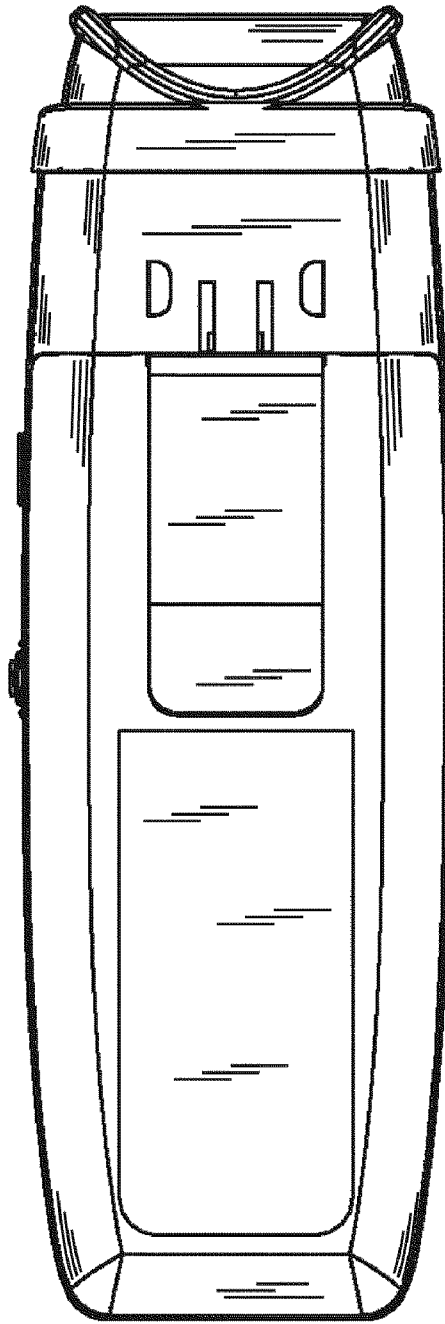


FIG. 3

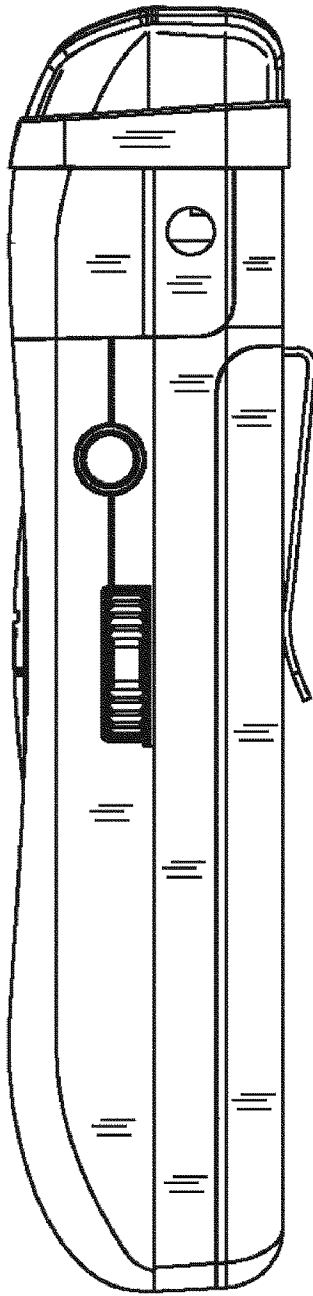


FIG. 4

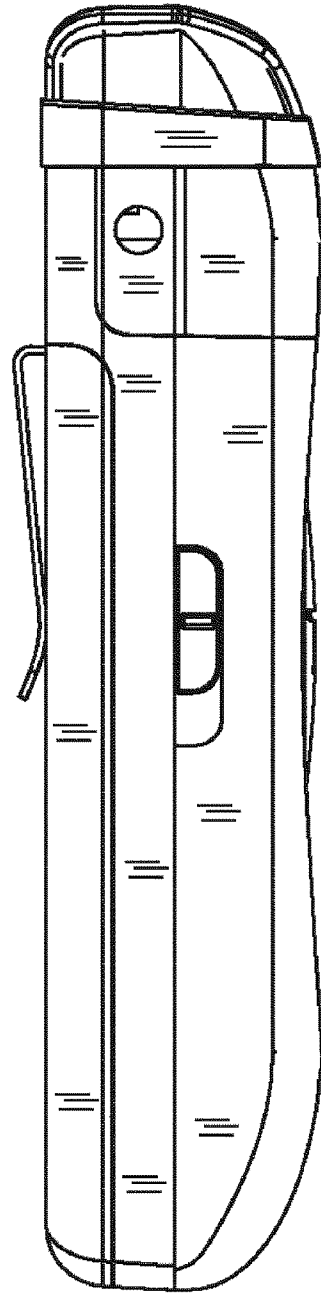
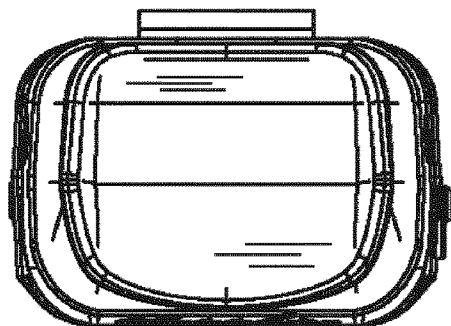
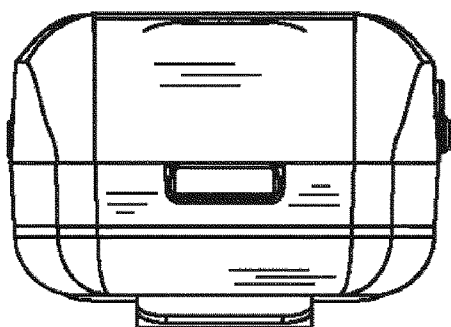


FIG. 5



*FIG. 6*



*FIG. 7*

UNITED STATES PATENT AND TRADEMARK OFFICE  
**CERTIFICATE OF CORRECTION**

PATENT NO. : D649,139 S  
APPLICATION NO. : 29/390882  
DATED : November 22, 2011  
INVENTOR(S) : James Van Waay

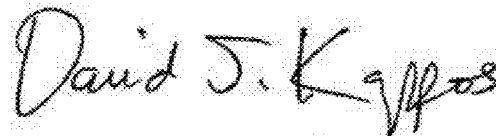
Page 1 of 1

It is certified that error appears in the above-identified patent and that said Letters Patent is hereby corrected as shown below:

Title Page, Item (12)

The inventor's last name printed as "Waay," should properly be printed as "Van Waay."

Signed and Sealed this  
Sixth Day of March, 2012

A handwritten signature in black ink that reads "David J. Kappos". The signature is written in a cursive style with a large initial "D".

David J. Kappos  
*Director of the United States Patent and Trademark Office*