



US00D590541S

(12) **United States Design Patent**
Chaoui

(10) **Patent No.:** **US D590,541 S**

(45) **Date of Patent:** **** Apr. 14, 2009**

(54) **EIFFEL TOWER HOOKAH PIPE**

Primary Examiner—Jennifer Rivard

(76) Inventor: **Rani Chaoui**, 4912 Deheas Rd., El Cajon, CA (US) 92019

(74) *Attorney, Agent, or Firm*—Steins & Associates, P.C.

(**) Term: **14 Years**

(57) **CLAIM**

(21) Appl. No.: **29/310,628**

I claim the ornamental design for an eiffel tower hookah pipe, as shown and described.

(22) Filed: **Aug. 29, 2008**

DESCRIPTION

(51) **LOC (9) Cl.** **27-02**

(52) **U.S. Cl.** **D27/162**

(58) **Field of Classification Search** D27/162;
131/173; D21/510

See application file for complete search history.

FIG. 1 is a perspective view of the eiffel tower hookah pipe; FIG. 2 is a front view the eiffel tower hookah pipe; FIG. 3 is a right side view the eiffel tower hookah pipe; and, FIG. 4 is a top plan view of the eiffel tower hookah pipe.

(56) **References Cited**

U.S. PATENT DOCUMENTS

D310,626 S * 9/1990 Dinand D9/638

D388,321 S * 12/1997 Chahed D9/638

D509,265 S * 9/2005 Lemesle D21/560

The partial, cross sectional view of the two upper bowls in FIG. 3 is disclosed for convenience of illustration. The broken lines shown in the drawings illustrate portions of the article and form no part of the claimed design.

* cited by examiner

1 Claim, 4 Drawing Sheets

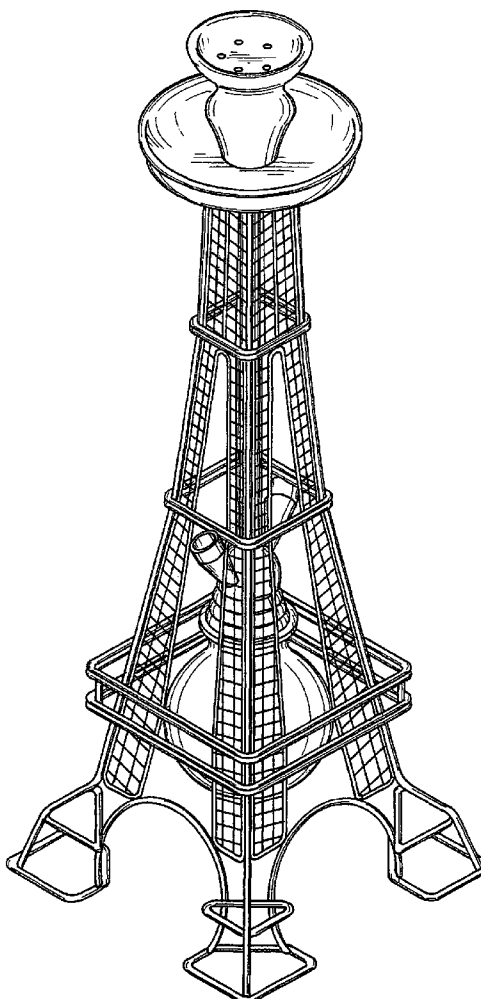


FIG. 1

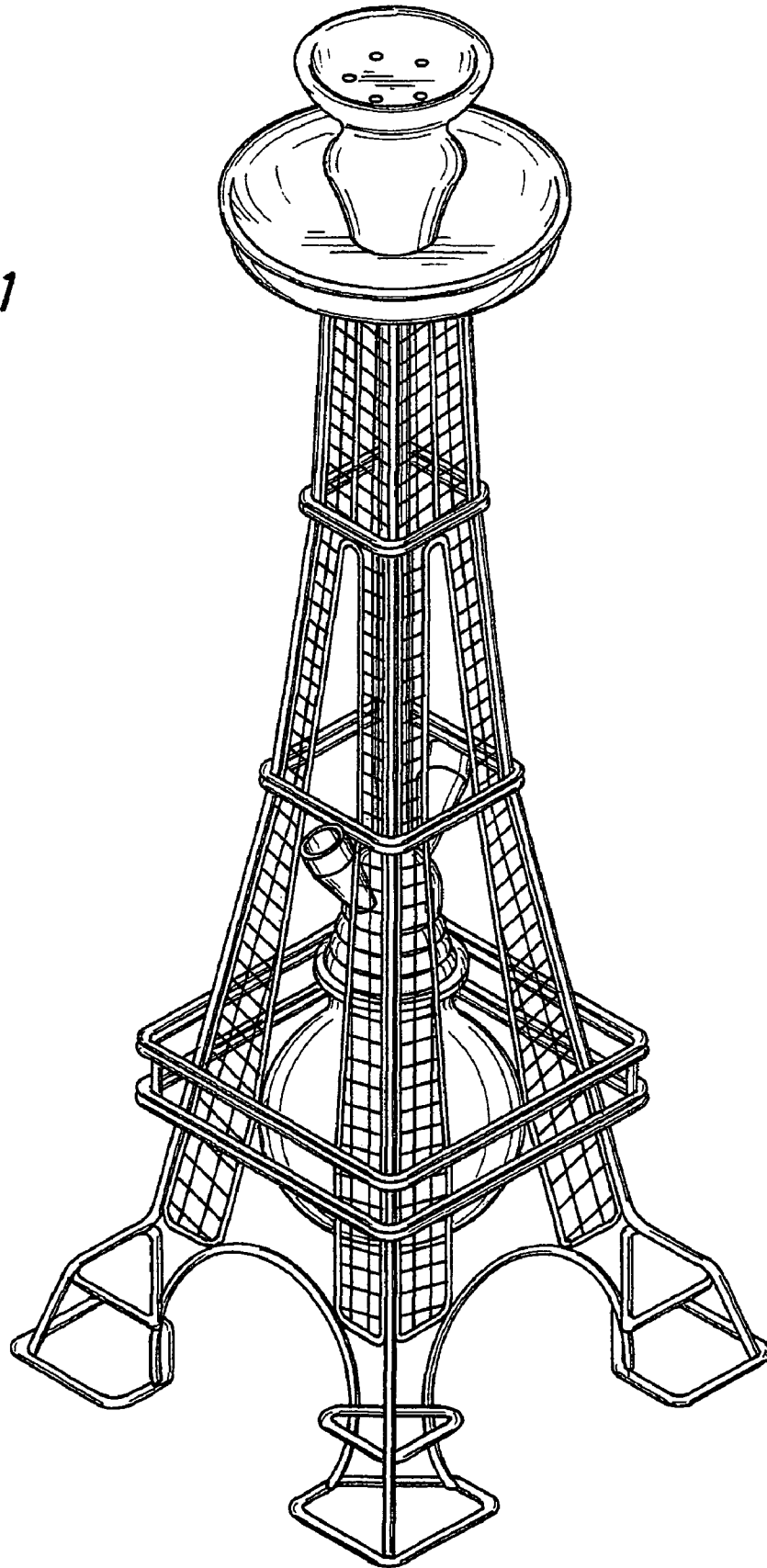


FIG. 2

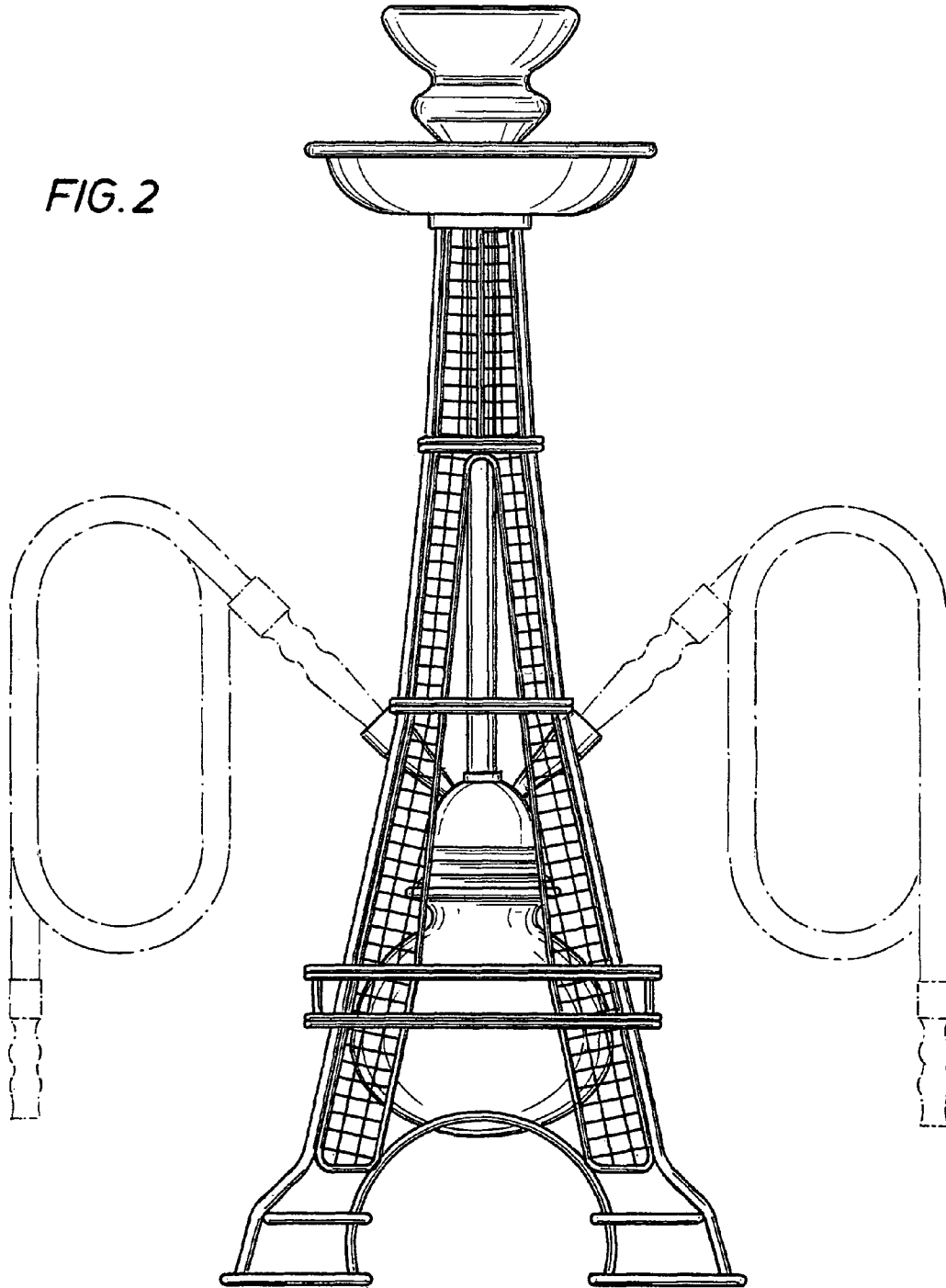


FIG. 3

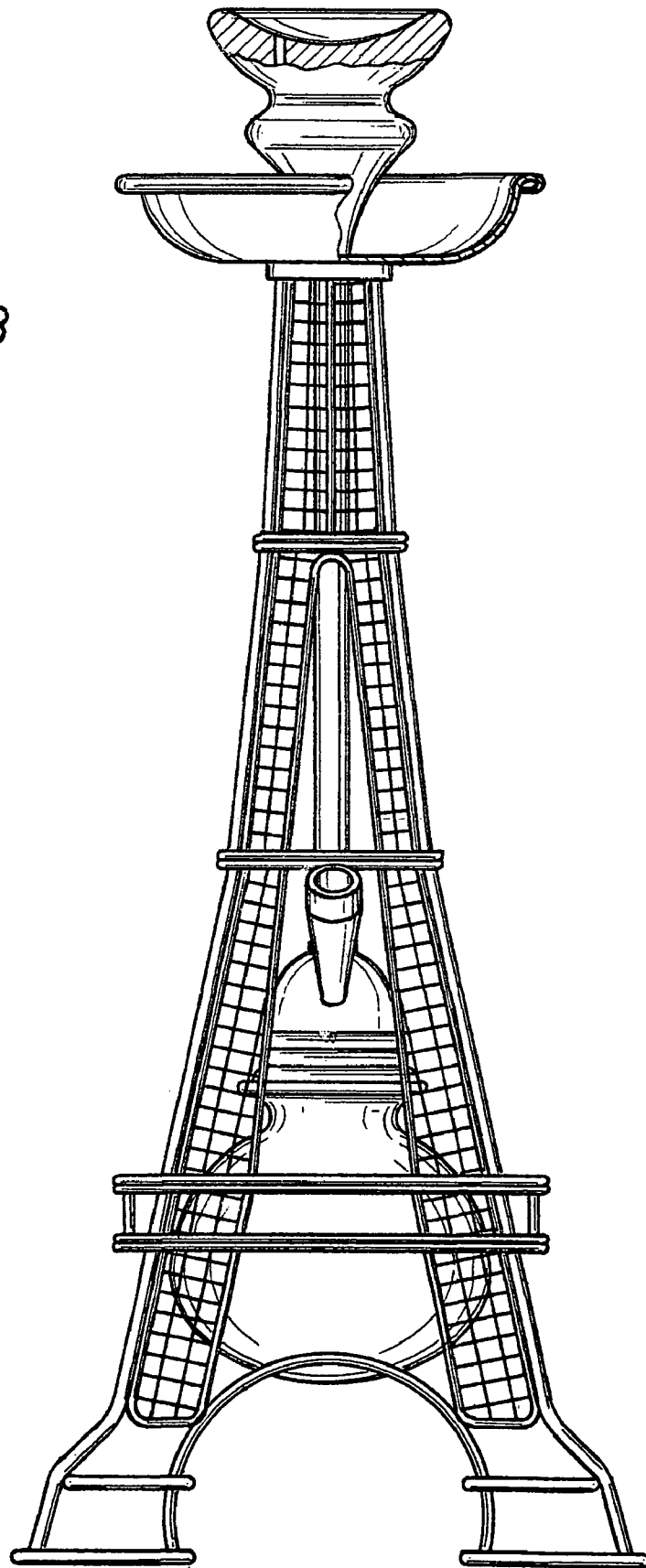


FIG. 4

